



DATA INQUIRY SHEET
8333A SERIES
MACH 3 PLUS

Capacity (Nominal BTUH)	Cooling - Output BTU Heating - Output BTU (1)	13,500 5,600
Electrical Rating	115 VAC, 60 HZ, 1 Phase	
Cooling Full Load AMP's at A.R.I. Standard Condition	Compressor Fan Motor Total	11.2 Low - 2.7 High - 3.4 13.9 14.6
Feature Equipment Amps	Heating (1)	16
Running Watts: (cooling) A.R.I. Standard Condition (80 F. DB/71 F. WB Indoor, 95 F. DB Outdoor)		1595
Running Watts: (cooling) A.R.I. Maximum Condition (95 F. DB/71 F. WB Indoor 115 F. DB Outdoor)		1924
Running Watts: (heating) (1)		1800
Compressor Locked Rotor Amps		54
Thermostat Temperature Range	Cooling - 61F. (±5) Heating (1) - 85 F. (±5)	
Metering Device	Capillary Tube	
Refrigerant Charge	14.75 oz.	
Evaporator Air Delivery (CFM)	320 CFM - High Speed	
Generator Size	See "Generators" Below	
Unit Weight (pounds) - Heat/Cool	84.5 lbs.	
Use time delay fuse or circuit breaker (U.L. H.A.C.R. Type C.S.A.) Rated at 20 amps. Supply wires 12 AWG Min. (Copper)		

(1) When equipped with Elect-A-Heat feature.

CEILING ASSEMBLY: Any 8330 series, 7330B751, -755 and 7530B750

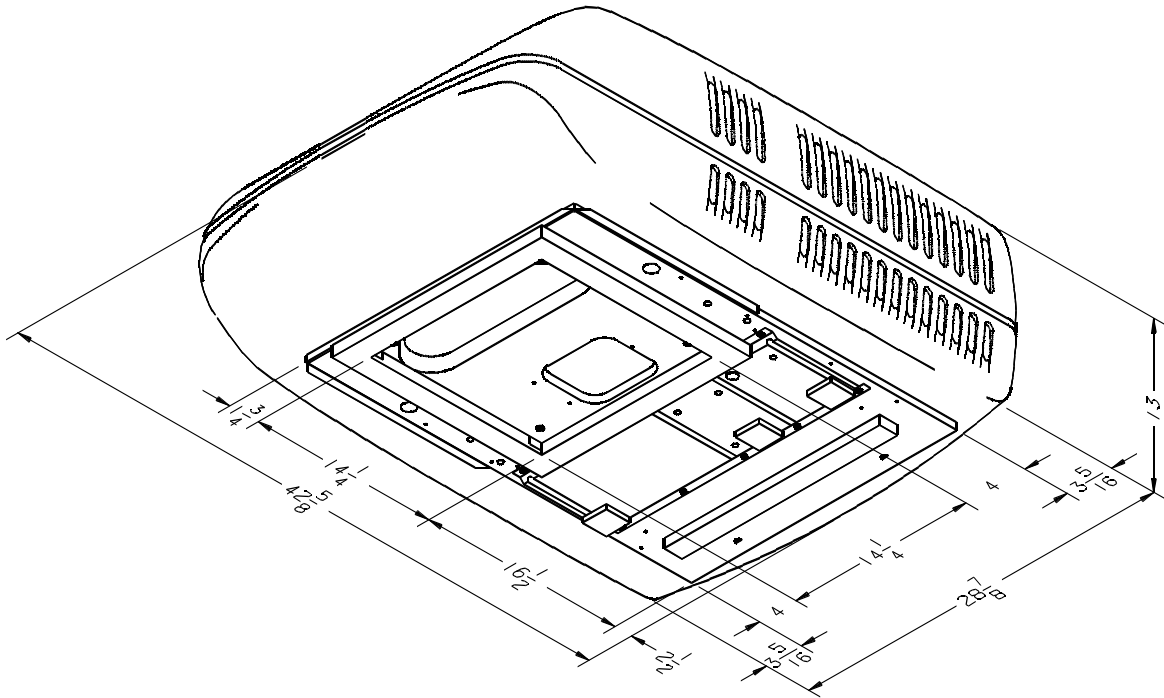
GENERATORS:

It is not the policy of RV Products to size generators for application in Recreation Vehicles or related structures. However, when sizing generators, the total electrical power consumption in Watts must be determined and taken into consideration, such as:

- A. Maximum running watts of the air conditioner at A.R.I. maximum operating conditions (See Specifications).
- B. Power consumption of electronic ovens, toasters, coffeemakers, television sets, refrigerators, lights, etc.
- C. Generators do lose capacity under the following conditions: (1) Altitude increases above sea level, (2) Temperature increases above certain outdoor design temperatures and (3) Lack of maintenance.

RV Products
A Division of Airxcel, Inc.
P.O. Box 4020
Wichita, KS 67204

ROOF TOP UNIT DIMENSIONS



CEILING SHROUD DIMENSIONS

QUICK REFERENCE CHART

DIMENSIONS		
Exterior Shroud	Height	13 1/4"
	Width	29"
	Length	43"
Interior Shroud	Depth	3"
	Width	22 1/2"
	Length	26"

